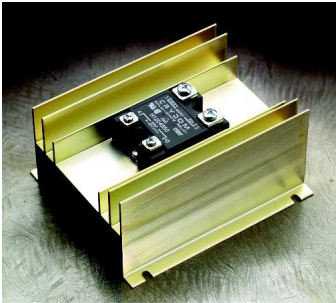


Heat Sinks



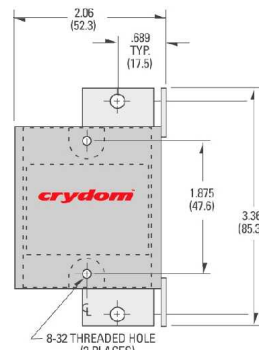
- Thermal management for solid-state relays
- Standard ratings as low as 0.4°C/W
- Custom heat sinks and assemblies available (contact factory for details)

GENERAL SPECIFICATIONS

Description				
Model Number	HS-1	HS-2	HE-54	HE-90
Weight (typical) [ounces]	3	5	10	24
Material	Aluminium	Aluminium	Aluminium	Aluminium
Finish	Cromate Coating D Gold	Cromate Coating D Gold	Cromate Coating D Gold	Cromate Coating D Gold
Mounting Holes	8-32 threaded	8-32 threaded	8-32 threaded	8-32 threaded

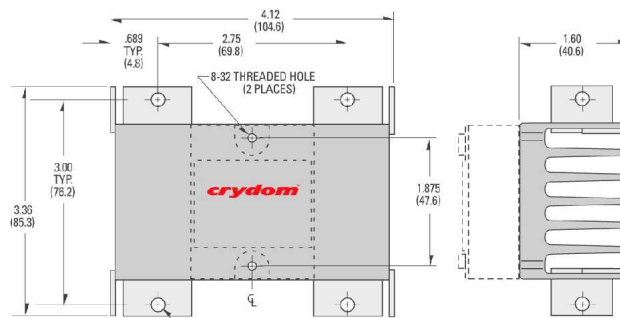
MECHANICAL SPECIFICATIONS

HS-1



HS-1

HS-2



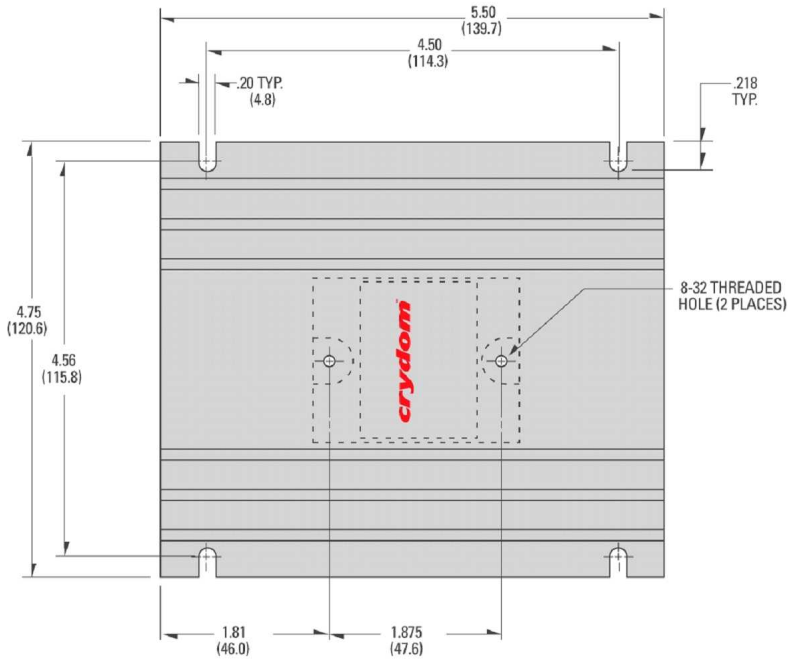
HS-2

END VIEW
HS-1, HS-2

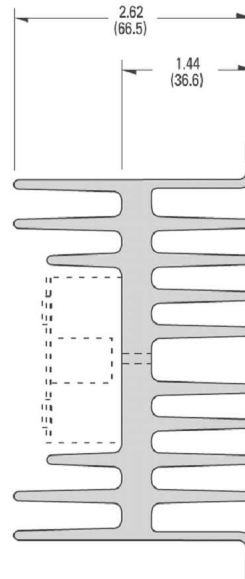
HE-54

COMPATIBLE CRYDOM PRODUCTS

Series 1, Series CS, Series CT, Series HA Duals, Series HD, Series DC60, Series 1-DC, Series SST, Series DSD, Series DLD, Series RPC, Series PCV.



HE-54



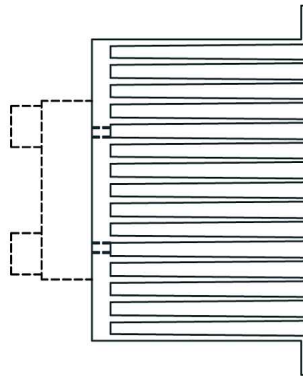
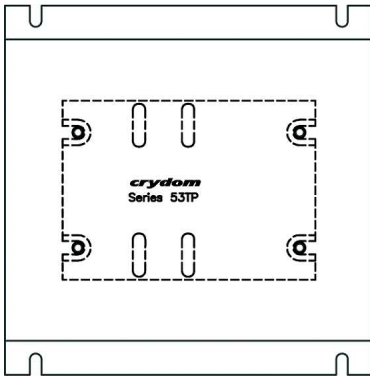
END VIEW

HE-90

The HE-90 heat sink offers excellent thermal management for up to three Series 1 type package SSR's or a single three phase SSR (model 53TP). All mounting holes are predrilled & tapped and are user configurable depending on the specific application.

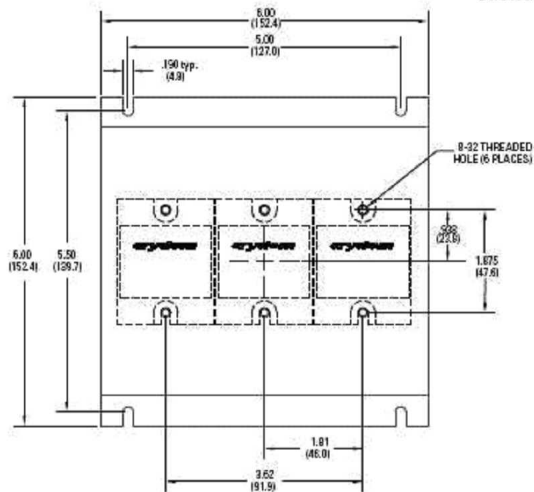
HE-90

Shown with Series 53TP Mounted



HE-90

Shown with three Series 1 type SSRs



END VIEW

